

MANDATORY BULLETIN No. SD-1/003 a

Concerning: Airplanes with rear installation of Magnum 300 rescue system

Subject: Reinforcement of rocket holding bulkhead

Reason: The necessity of rocket holding bulkhead reinforcement was found out after accident rescue system activation

Latest day of action: Before next flight

Action carried out by: RTF planes/manufacturer

Kits/builder (owner)

Necessary material: Carbon cloth 200 g/m² -530x230 –diagonal cut, Resin MGS L 285 +H286

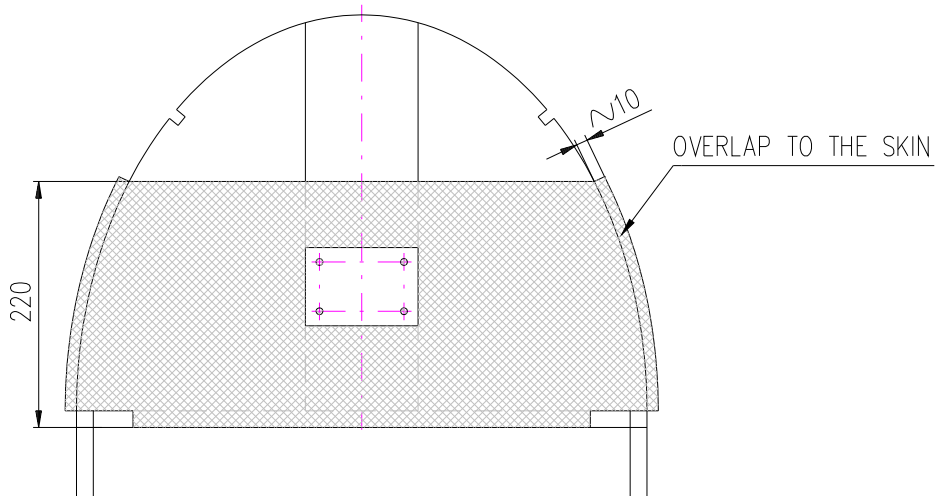
Sheets: 3

.....
Igor Spacek
Designer

23.8.2012

WORK PROCEDURE

1. Secure rocket activation handle
2. Disconnect rocket cable from parachute.
3. Dismantle rocket from the bulkhead and lay it down onto fuselage floor
4. Dismantle shoulder harness
5. Sand varnished structure in accordance to scheme and clean dust



6. Make lay up of 1 layer C200 diagonally



7. Trim excessive layup after cure. Clean fuselage and reinstall shoulder harness and rocket.
8. Connect rocket cable to parachute and secure it on rocket case using thin nylon cable tie in accordance to picture



9. Attach rescue system cover using elastic 15 mm wide tape